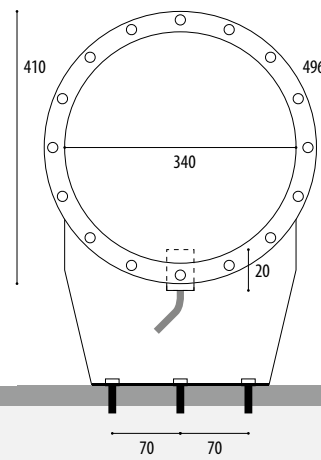
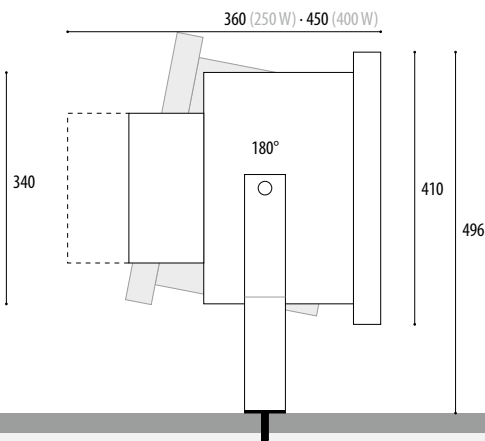




SURFACE SPOTLIGHT 4.4110

UNDERWATER | EXTERIOR

IP68



Article number	Lamps	Wattage	Current/Voltage	Socket	Radiation angle	Cable	[V]
VERSIONS: UNDER- AND OVERWATER OPERATION (ACCORDING TO PRIOR AGREEMENT)							
FLOOD							
4.4110.00.25	HIE	250W	230V	E40	80°	Si, 3x2,5 qmm	L76
4.4110.00.26	HSE-MF	250W	230V	E40	80°	Si, 3x2,5 qmm	R75
SPOT							
4.4110.00.29	HIT-DE	250W	230V	Fc2	16°	Si, 3x2,5 qmm	J20
4.4110.00.30	HST-DE	250W	230V	Fc2	20°	Si, 3x2,5 qmm	Q20
VERSIONS: ONLY UNDERWATER OPERATION							
FLOOD							
4.4110.00.40	HSE-MF	400W	230V	E40	80°	Si, 3x2,5 qmm	R76
4.4110.00.41	HIE	400W	230V	E40	80°	Si, 3x2,5 qmm	L77
SPOT							
4.4110.00.43	HIT-DE	400W	230V	Fc2	35°	Si, 3x2,5 qmm	J21
4.4110.00.44	HST-DE	400W	230V	Fc2	35°	Si, 3x2,5 qmm	Q21



4.4110 | SURFACE-SPOTLIGHT

FOR ILLUMINATION OF WIDE AND HIGH FOUNTAINS.

IP68
 STAINLESS STEEL V4A 1.4571 316Ti
 230 V
 max 3m
 180°
 CABLE EXCL.
 EXCL.
 CE



- Protection class IP68 – up to 3m water depth
- Entirely made of stainless steel 316Ti 1.4571
- Mounting bracket adjustable through 180°
- ...
- Metal halogen vapour lamps
- with a symmetrical stainless steel reflector
- ...
- Cable gland PG16/21, marine grade 316Ti stainless steel
- Temperature-resistant silicon seal
- Toughened safety glass
- Ballast and Ignitor fitted depending on type, without light source

Power supplies Technical details see from page 234.

Integratet
Integratet

Integratet
Integratet

Integratet
Integratet

Integratet
Integratet

OPTIONS

Coloured HIT light sources available

POW-LED on request

ADDITIONAL PARTS

double cable gland made of V4A-stainless steel
4.0004.40.16

anti-glare louver
4.0008.01.00

glass disc, frosted for softer light distribution (light loss approx. -15%)
4.0085.01.00