



## RECESSED SPOTLIGHT 4.0304

EXTERIOR

IP67



- › Spotlight for very variable use
- › Up to 5940 lumen light intensity
- › Load-bearing capacity of up to 5 tons





# 4.0304 | RECESSED SPOTLIGHT

FOR ILLUMINATING BUILDING FACADES, GREEN AREAS, PARKS AND OUTDOOR FACILITIES.

IP67	STAINLESS STEEL V4A 1.4571 316Ti	POW-LED INCL.	3.000 K 4.500 K 6.000 K	RGB	CONSTANT CURRENT CONSTANT VOLTAGE	EXCL.	CABLE EXCL.	5t	650kg	↑	↓	↔	↔	CE
------	--	---------------	-------------------------------	-----	--------------------------------------	-------	-------------	----	-------	---	---	---	---	----



- Protection system IP67
- Entirely made of stainless steel 316Ti 1.4571
- with flush-mounted cover, round or square cover or lock ring
- ...
- operating mode: constant current
  - POW-LED cold white, warm white, neutral white, CC
  - POW-LED RGB
- operating mode: constant voltage
  - POW-LED cold white, warm white, neutral white, CV
- POW-LED-Platine temperatur control (NTC)
- QT32, HIT-CRI, QR111, QR-CB51
- Reflector made of high-purity aluminium, symmetrical/asymmetrical
- Adjustable reflector
- ...
- Temperature-resistant silicon seal
- Toughened safety glass (ESG) – withstands loads of up to 5000 kg, lock ring up to 650 kg
- Cable gland PG 16/21, nickel-plated brass
- fitted ballast device at HIT-CRI
- ballast device not included at POW-LED, QR111 and QR-CBC51 (order separately)
- 230 V mains voltage at QT32
- Supplied without light source and without cable
- QR-CB51 with light source, without cable
- POW-LED with light source and cable

## + ADDITIONAL PARTS

	Installation housing 316Ti stainless steel ø 235 x 230 mm for flush, round and square cover <b>4.0304.10.95</b>
	Installation housing 316Ti stainless steel ø 235 x 230 mm for lock ring <b>4.0304.00.95</b>
	rippled glass, frosted for softer light distribution (light loss approx. -15%) for flush, round and square cover <b>4.0231.01.00</b>

	anti-glare louver black, for symm. and asymm. Reflector <b>4.0003.01.00</b>
	<b>TIPP</b> rippled glass with antiskid coating for flush, round and square cover <b>4.0231.02.00</b>
	glass disc, frosted for softer light distribution (light loss approx. -15%) for lock ring <b>4.0230.01.00</b>

★ **PRODUCT LINE**

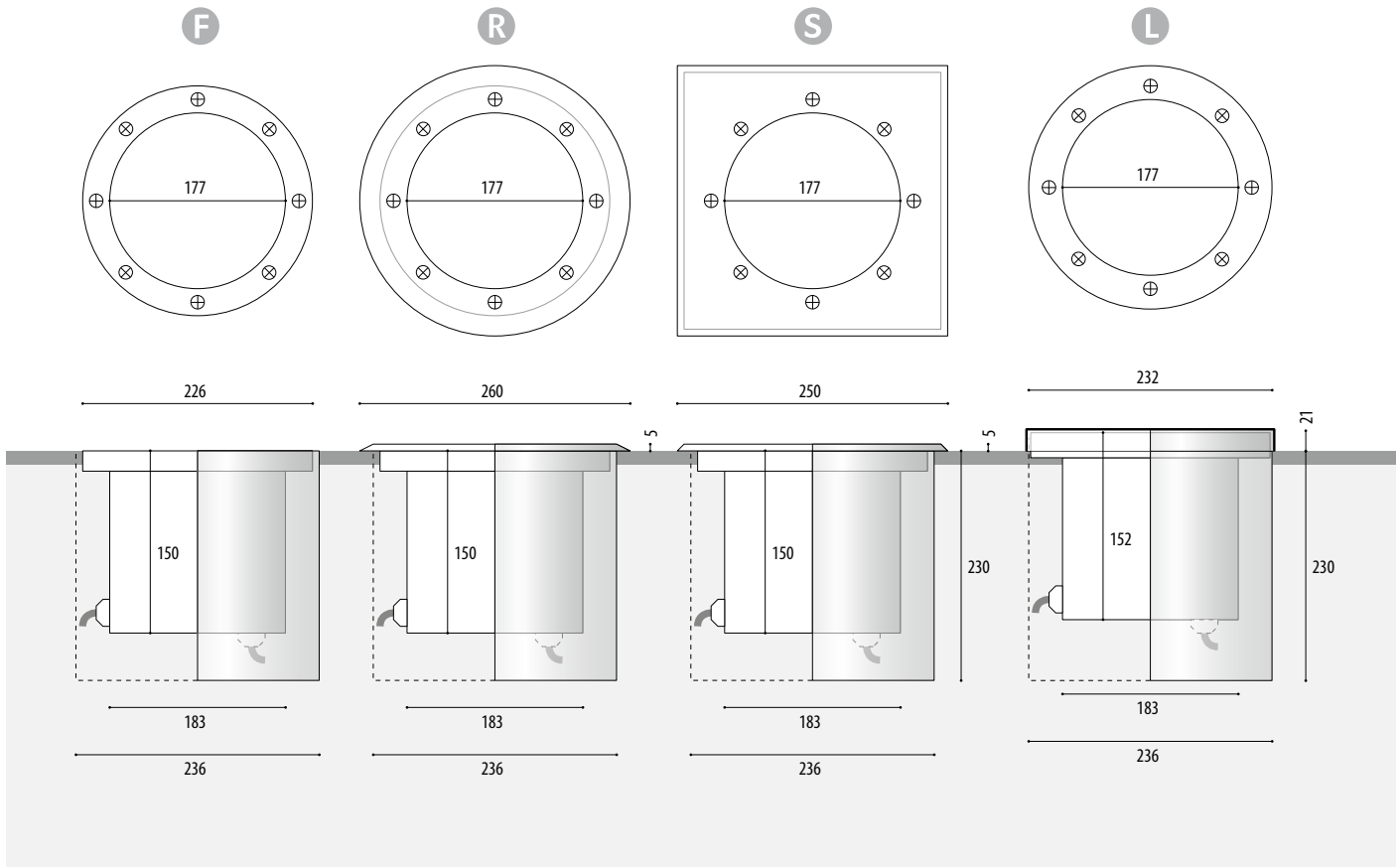
	<b>4.0365</b> Surface spotlights > Page 140
	<b>4.0098</b> Recessed spotlights (exterior) > Page 186



# RECESSED SPOTLIGHT 4.0304

EXTERIOR

IP67



F	R	S	L	Lamps	Lumen	Wattage	Current/Voltage Socket	Temperature	Radation angle	Cable	[V]
<b>SYMMETRIC REFLECTOR, CLEAR TEMPERED GLASS LENS</b>											
4.0304.10.00	4.0308.20.00	4.0308.40.00	4.0303.00.00	QT32		150W	230V	E27	150°C	24°	Si, 3x2,5 qmm F33
4.0304.10.35	4.0308.20.35	4.0308.40.35	4.0303.00.35	HIT-CRI		35W	230V	G12	<75°C	19°	Si, 3x2,5 qmm I31
4.0304.10.70	4.0308.20.70	4.0308.40.70	4.0303.00.70	HIT-CRI		70W	230V	G12	110°C	19°	Si, 3x2,5 qmm I33
<b>Asymmetric reflector, frosted glass</b>											
4.0304.11.00	4.0308.21.00	4.0308.41.00	4.0303.01.00	QT32		150W	230V	E27	150°C	30°	Si, 3x2,5 qmm F43
4.0304.11.35	4.0308.21.35	4.0308.41.35	4.0303.01.35	HIT-CRI		35W	230V	G12	<75°C	40°	Si, 3x2,5 qmm I41
4.0304.11.70	4.0308.21.70	4.0308.41.70	4.0303.01.70	HIT-CRI		70W	230V	G12	110°C	40°	Si, 3x2,5 qmm I43
<b>ADJUSTABLE REFLECTOR LAMP (+/-15°), CLEAR GLASS LENS, WITH LAMP</b>											
4.0304.14.10	4.0308.24.10	4.0308.44.10	4.0303.04.10	QR111		100W	12V-AC	G53	140°C	24°	Si, 2x2,5 qmm D42
4.0304.14.75	4.0308.24.75	4.0308.44.75	4.0303.04.75	QR-CBC51		75W	12V-AC	GU5,3	120°C	36°	Si, 2x2,5 qmm C52
<b>POW-LED 350 MA, CLEAR TEMPERED GLASS LENS – 350 MA</b>											
4.0304.15.01	4.0308.25.01	4.0308.45.01	4.0303.05.01	36 POW-LED 6.000K	5940 lm	total 43 W	CC 350 mA	Klemme	<55°C	30° medium	Si, 8x0,5 qmm V73
4.0304.15.02	4.0308.25.02	4.0308.45.02	4.0303.05.02	36 POW-LED 3.000K	4860 lm	total 43 W	CC 350 mA	Klemme	<55°C	30° medium	Si, 8x0,5 qmm
4.0304.15.03	4.0308.25.03	4.0308.45.03	4.0303.05.03	36 POW-LED 4.500K	5580 lm	total 43 W	CC 350 mA	Klemme	<55°C	30° medium	Si, 8x0,5 qmm
4.0304.15.09	4.0308.25.09	4.0308.45.09	4.0303.05.09	36 POW-LED RGB		all on 43 W	CC 350 mA	Klemme	<55°C	30° medium	Si, 8x0,5 qmm
<b>POW-LED 350 MA, CLEAR TEMPERED GLASS LENS – 12 V-DC</b>											
4.0304.15.61	4.0308.25.61	4.0308.45.61	4.0303.05.61	36 POW-LED 6.000K	5940 lm	total 43 W	CV 12 V-DC	Klemme	<55°	30° medium	UW, 2x2,5 qmm
4.0304.15.62	4.0308.25.62	4.0308.45.62	4.0303.05.62	36 POW-LED 3.000K	4860 lm	total 43 W	CV 12 V-DC	Klemme	<55°	30° medium	UW, 2x2,5 qmm
4.0304.15.63	4.0308.25.63	4.0308.45.63	4.0303.05.63	36 POW-LED 4.500K	5580 lm	total 43 W	CV 12 V-DC	Klemme	<55°	30° medium	UW, 2x2,5 qmm



IP67

EXTERIOR

< Project  
Iglotel, Arvidsjaur, Sweden, [www.iglotel.com](http://www.iglotel.com)  
Planner: [www.lichtteam.de](http://www.lichtteam.de)

**NOTE**



In public areas we recommend to use a non-slip glass. See accessories.



In case of use of an housing, cable gland must be mounted on the ground. (Please state!)

**OPTIONS**

Possible beam angle POW-LED



**IP68**

Protection system IP68 (fully ready for operation with light source and cables)



Special brass covers



Cable gland on floor possible



The installation housing can be supplied as an option



Please order the double cable gland for ring assembly separately



12 V-DC dimmable with dimming module 5.0690.03.15. Note: Other cable to the spotlight is required. Requires further agreements.

Power supplies Technical details see from page 234.

Integratet  
Integratet  
Integratet

Integratet  
Integratet  
Integratet

5.0100.00.00 Transformer, max 1 spotlights  
5.0100.00.00

5.0635.00.36 Constant Current power supply, max 1 spotlights  
5.0635.00.36

5.0635.09.50 RGB-Controller, max 1 spotlights  
5.0635.09.50

5.0600.65.60 Constant Voltage power supply, max 1 spotlights  
5.0600.65.60  
5.0600.65.60

5.0600.65.15 Constant Voltage power supply, max 3 spotlights  
5.0600.65.15  
5.0600.65.15